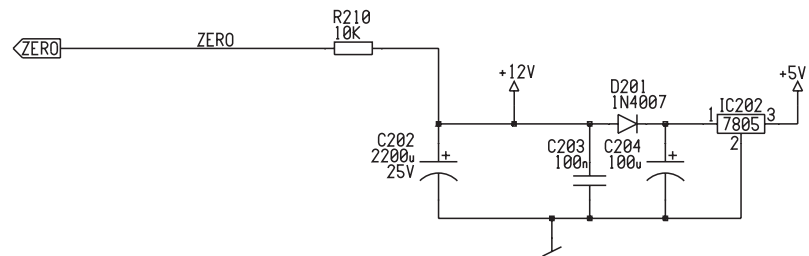
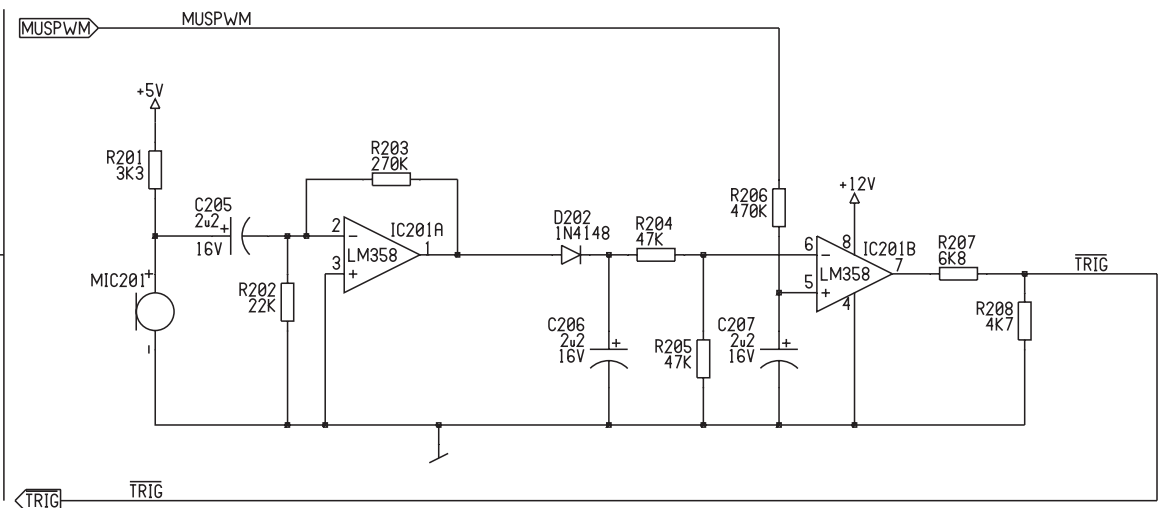


PRODUCT		ROBOCOLOR II		ENG.		Martin Professional A/S	
		PCB ASSEMBLY		REVISION A0	PAGE 1	OF 3	
NAME		6200042.SCH / 01001504A.PCB		DRAWN BY BH			
				DATE 08/03/00	TIME 13:30		

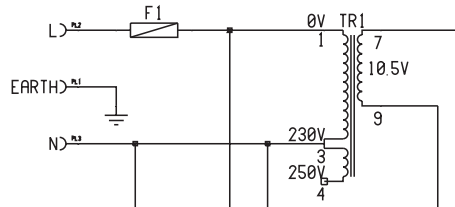


PAGE 1

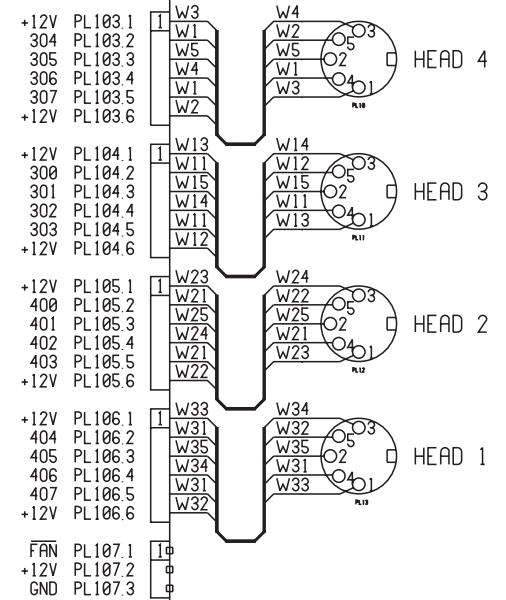
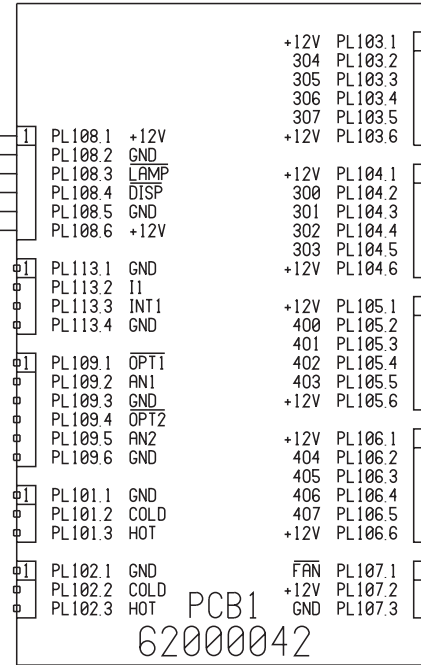
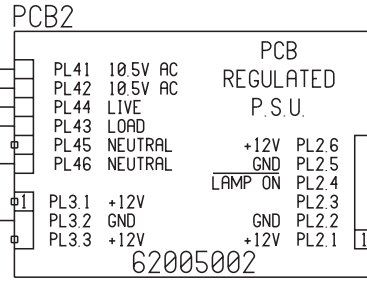
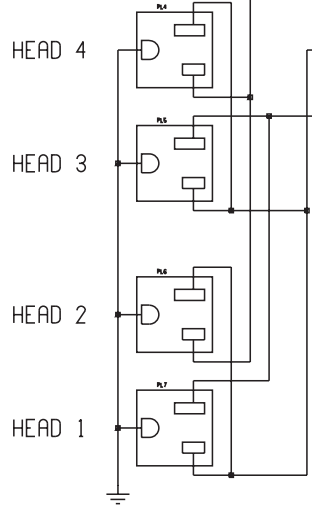


PRODUCT		ROBOCOLOR II PCB ASSEMBLY		ENG. Martin Professional A/S	
NAME		62000042.SCH / 01001504A.PCB		REVISION A0	PAGE 2 OF 3
				DRAWN BY BH	
				DATE 08/03/00	TIME 13:31

MAINS INLET
220-240 V AC
50-60Hz

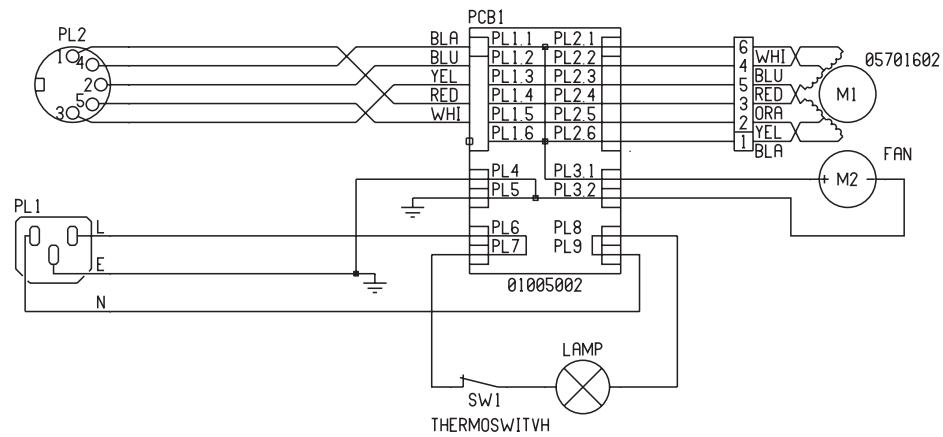


LAMP SUPPLY 4*107 V RMS (ADJUSTABLE)



OUTPUTS FOR COLOR CHANGING MOTORS

PRODUCT	ROBOCOLOR II EU CONTROLLER		ENG.	Martin Professional A/S	
	REVISION	A0	PAGE	1	OF 1
NAME	70720200		DRAWN BY	BH	
	DATE	10/03/00	TIME	13:25	



PRODUCT	ROBOCOLOR II EU/US HEAD		ENG.	Martin Professional A/S	
	REVISION A0	PAGE 1	OF 1		
NAME	70315000		DRAWN BY BH		
	DATE 10/03/00	TIME 14:30			